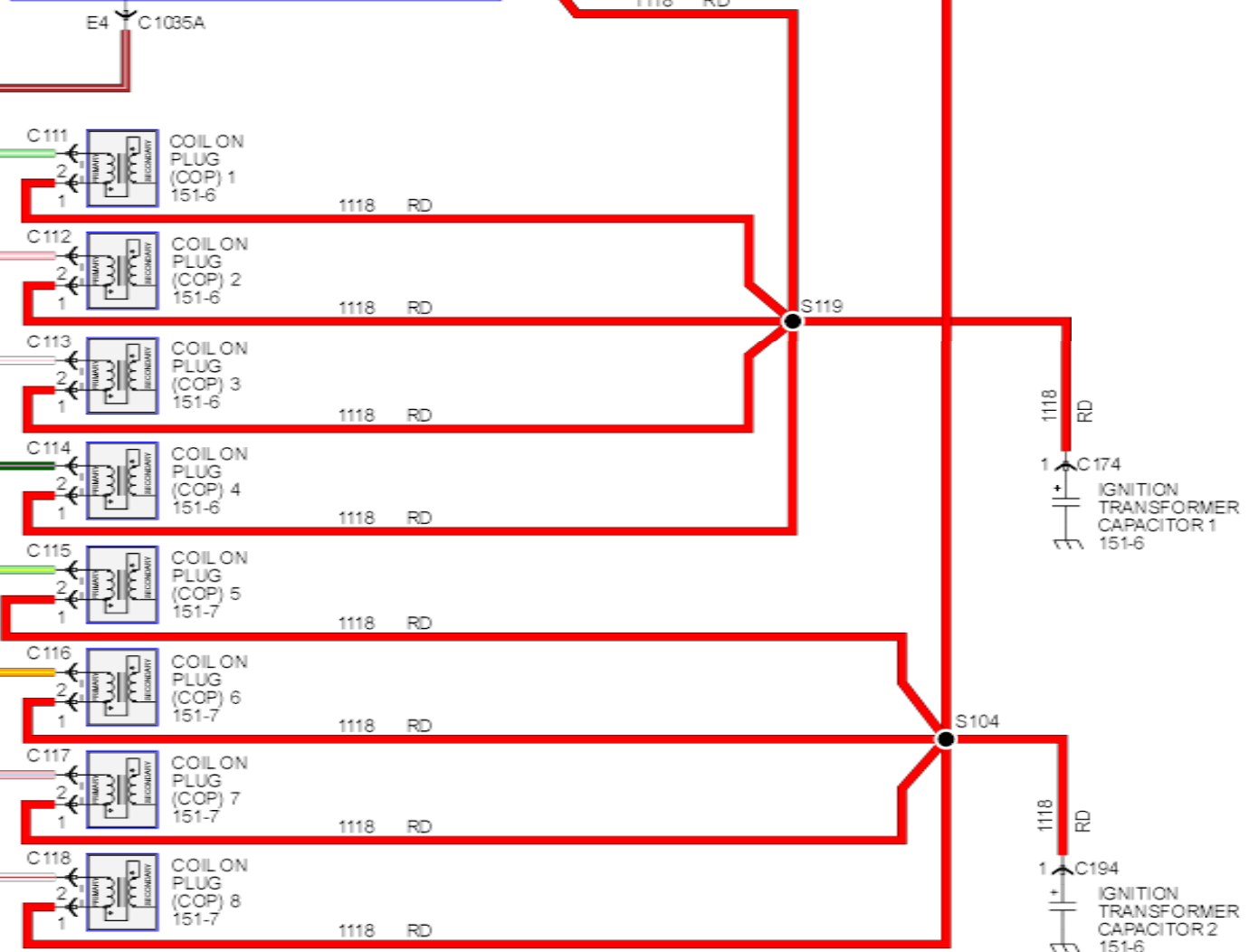
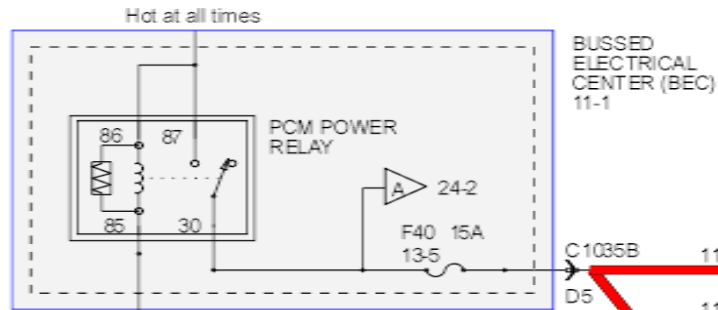
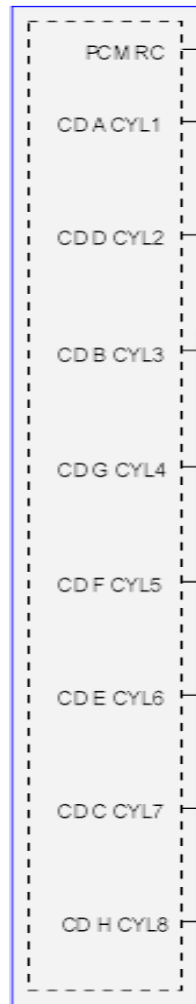
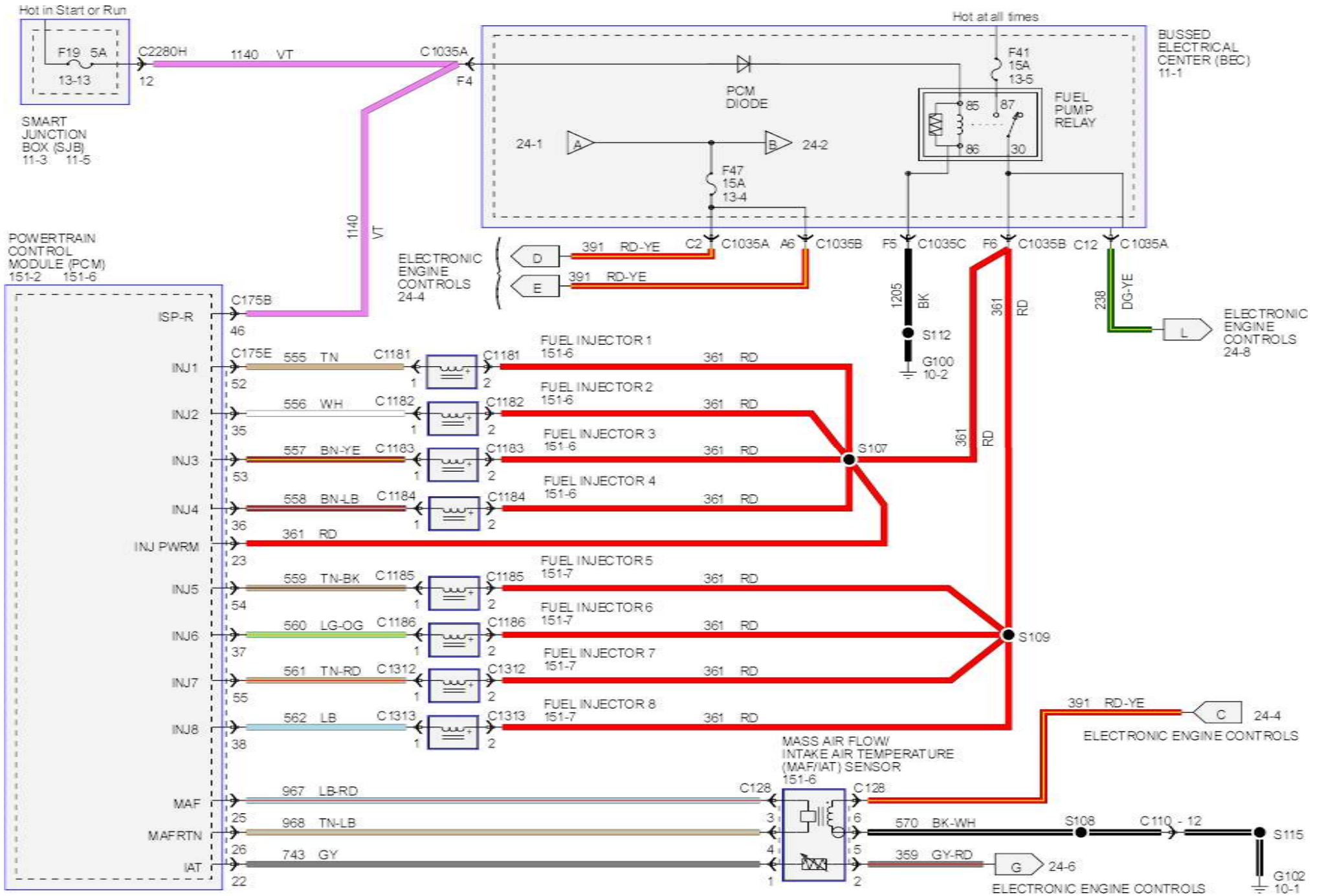
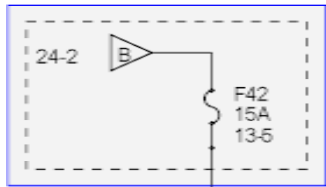


POWERTRAIN CONTROL MODULE (PCM) 151-2 151-6







BUSSED  
ELECTRICAL  
CENTER (BEC)  
11-1

C1035A

1856

GY-OG

1856

GY-OG

35

36

C175B

VPWR

VPWR

POWERTRAIN  
CONTROL  
MODULE (PCM)  
151-2 151-6

THROTTLE POSITION SN#1

C175E

355 GY-WH

C189

ETC REF

61

69 RD-LG

4

ETC RTN

66

766 BK-LG

2

THROTTLE POSITION SN#2

59

357 YE-WH

3

60

1

ETC THROTTLE MOTOR

34

1836 OG-YE

C1368

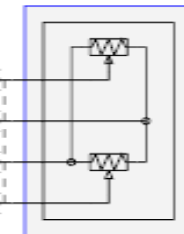
ETC THROTTLE MOTOR

51

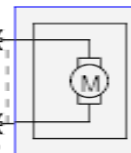
1835 DB-YE

1

2



THROTTLE  
POSITION  
(TP) SENSOR  
151-6



ELECTRONIC  
THROTTLE CONTROL  
(ETC) MOTOR  
151-6

